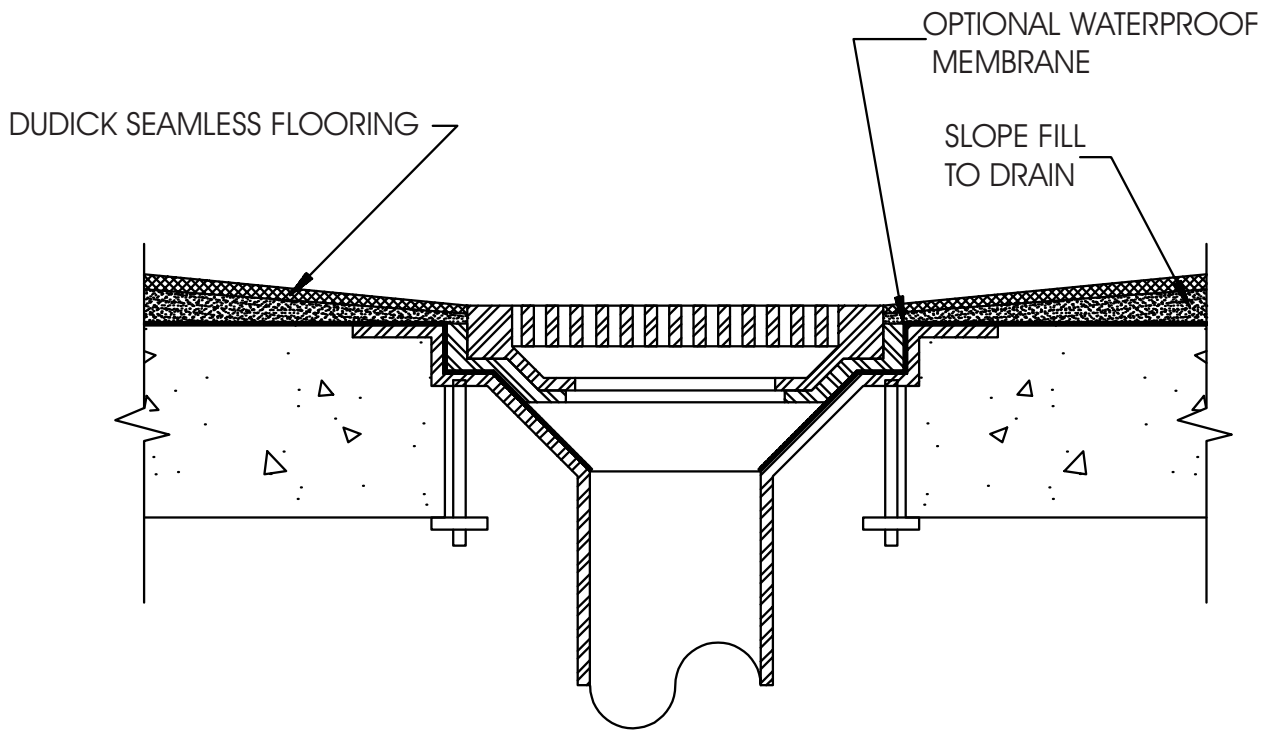
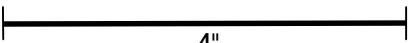


## LEADERSHIP IN TECHNOLOGY & SERVICE

### Typical installation details



Detail: <b>DRAIN WITH OPTIONAL WATERPROOFING</b>	Project:	Project#:
		Date:
Scale: 6" = 1'0" 		Drawing Name: DETAIL DRAIN